

Terminal for flexible board

FR series (10pcs/pack)

■ **Connecting terminal**

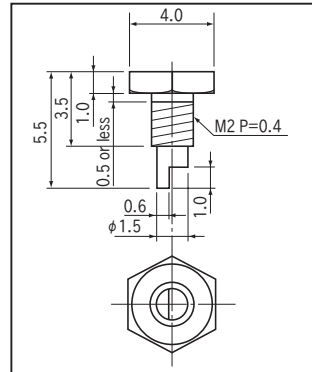
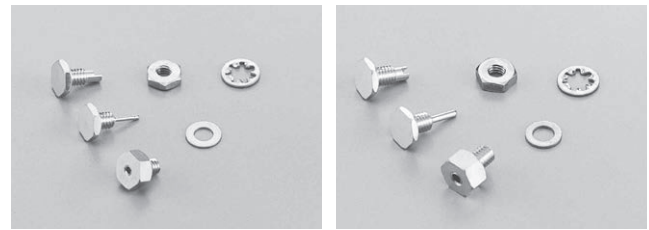
- This terminal can be fit and connected to conductive sheets, flexible boards and other sheets for which soldering is impossible.
- This terminal is used for taking out signals from sheets and for supplying power.
- Material Terminal main body: Brass
Toothed lock washer: Phosphor bronze
Flat washer: Brass
Nut: Brass
- Finish: Terminal main body (gold plating over nickel base)
Toothed lock washer, flat washer and nut (nickel plating)
- Fitting hole diameter FR-2 series: ϕ 2.0 to ϕ 2.1
FR-2.6 series: ϕ 2.6 to ϕ 2.7
- Fitting board thickness: 0.1 mm to 0.4 mm
- Fitting torque
FR-2 series: 1.5 kgf-cm (14.7N-cm) or less
FR-2.6 series: 3.0 kgf-cm (29.4 N-cm) or less
- Rated current FR-2-1: 4A
FR-2.6-1 :7A
- Operating temperature range: - 40 to + 125°C

■ **Male pin**

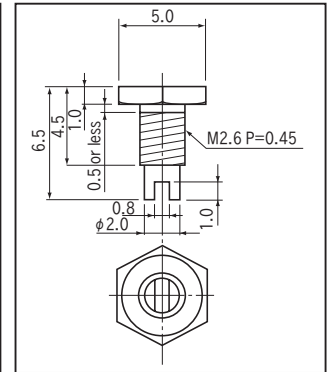
- This male pin is used for the socket of flexible board (FR-2-3, FR-2.6-3).
- Material, finish, fitting hole diameter, tightening torque and operating temperature range are the same as those of the FR-2-1 and FR-2.6-1.
- Rated current
FR-2-2:3A
FR-2.6-2: 7A

■ **Socket**

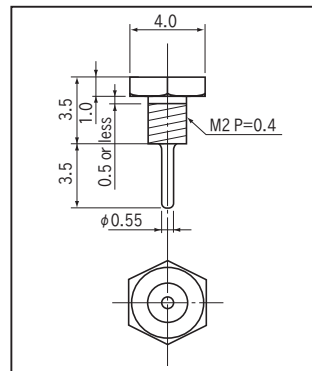
- The socket can be directly mounted to conductive sheets, flexible boards and other sheets for which soldering is impossible.
- Material, finish, fitting hole diameter, tightening torque and operating temperature range are the same as those of the FR-2-1 and FR-2.6-1.
- Contact part Material: Beryllium copper
Finish: Gold plating over nickel base
- Adaptive male pin diameter FR-2-3: ϕ 0.45 to ϕ 0.6
FR-2.6-3: ϕ 0.8 to ϕ 1.0
- Insertion / removal forces: FR-2-3:70g or over
FR-2.6-3:150g or over
- Rated current: FR-2-3: 1A
FR-2.6-3: 5A
- Insertion / removal durability : 100 cycles
- Contact resistance: 10m Ω or less (Contact part)



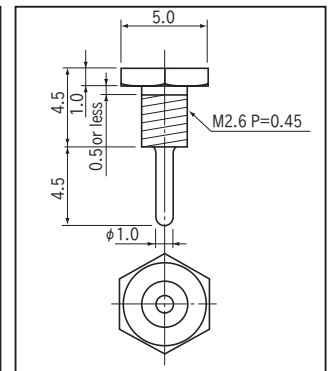
FR-2-1



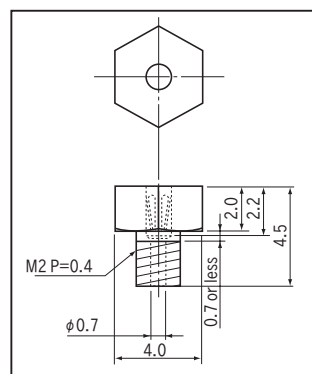
FR-2.6-1



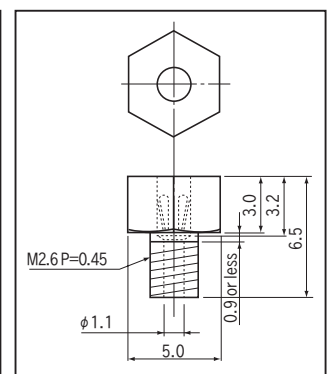
FR-2-2



FR-2.6-2

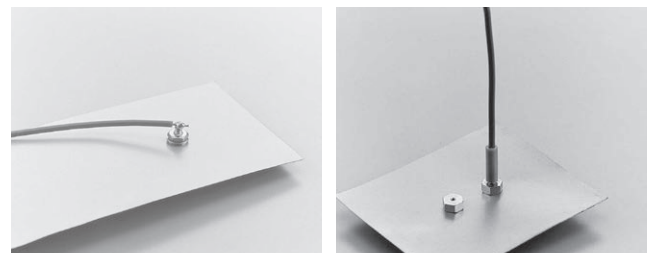
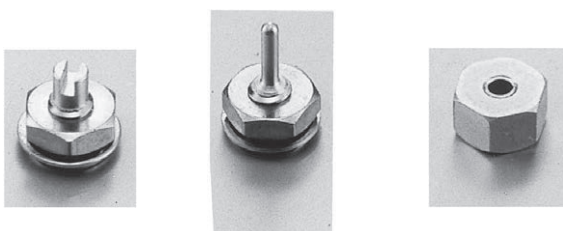


FR-2-3



FR-2.6-3

■ **Example of usage**



* Regarding the strength of the board when using and fitting FR series, please take into consideration of operation environment and mechanical properties of the board material.