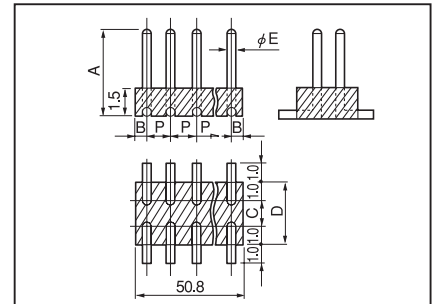
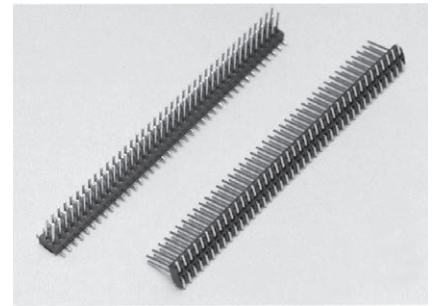


Two-row connection pin for surface mounting(Pitch: 1.27 mm, 2.54 mm)

OQW series (10pcs/pack)

- This is used as the input/output pin of a surface mounting board.
- This is the two-row type with a pitch of 1.27 / 2.54 mm.
- By combining OQW-01, 03 series and PCW series, a PC board can be mounted by two-tiered installation.
- Material
 - Resin part: PCT black (UL94V-0) (OQW-11, OQW-13 series)
 - PPS black (UL94V-0) (OQW-01, OQW-03 series)
 - Pin part: Phosphor bronze
- Finish: Gold plating over nickel base
- Rated current: 2A
- Insulation resistance: 500M Ω or over
- Withstand voltage: 700V AC, DC per minute (OQW-11, OQW-01 series)
1000V AC, DC per minute (OQW-13, OQW-03 series)
- Operating temperature range: - 40 to + 125°C

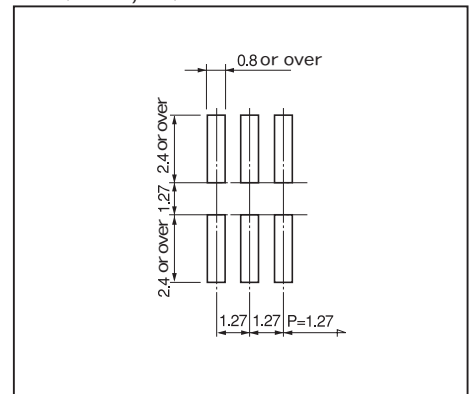


Part No.

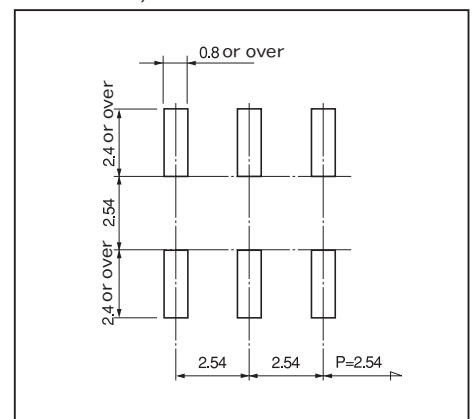
Part No.	A	B	C	D	E	P	Maximum number of pins connected
OQW-11-3.8	3.8	0.635	1.27	3.27	0.45	1.27	40 × 2
OQW-11-4.2	4.2	0.635	1.27	3.27	0.45	1.27	40 × 2
OQW-11-5	5.0	0.635	1.27	3.27	0.45	1.27	40 × 2
OQW-11-6.5	6.5	0.635	1.27	3.27	0.45	1.27	40 × 2
OQW-13-3.8	3.8	1.27	2.54	4.54	0.45	2.54	20 × 2
OQW-13-4.2	4.2	1.27	2.54	4.54	0.45	2.54	20 × 2
OQW-13-5	5.0	1.27	2.54	4.54	0.45	2.54	20 × 2
OQW-13-6.5	6.5	1.27	2.54	4.54	0.45	2.54	20 × 2
OQW-01-3.8	3.8	0.635	1.27	3.27	0.40	1.27	40 × 2
OQW-01-4.1	4.1	0.635	1.27	3.27	0.40	1.27	40 × 2
OQW-01-4.6	4.6	0.635	1.27	3.27	0.40	1.27	40 × 2
OQW-01-5.1	5.1	0.635	1.27	3.27	0.40	1.27	40 × 2
OQW-03-3.8	3.8	1.27	2.54	4.54	0.40	2.54	20 × 2
OQW-03-4.1	4.1	1.27	2.54	4.54	0.40	2.54	20 × 2
OQW-03-4.6	4.6	1.27	2.54	4.54	0.40	2.54	20 × 2
OQW-03-5.1	5.1	1.27	2.54	4.54	0.40	2.54	20 × 2

Recommended land information

- OQW-11, OQW-01 series



- OQW-13, OQW-03 series



How to order

OQW-11-3.8-10PW

↑ Please fill in the number of poles on one side.
(If the number is not specified, we will deliver the part of the maximum number of connection.)

Instructions for mounting

In the case that a warpage occurs on the resin part during reflow because many pins are connected for use, apply an adhesive to several places.