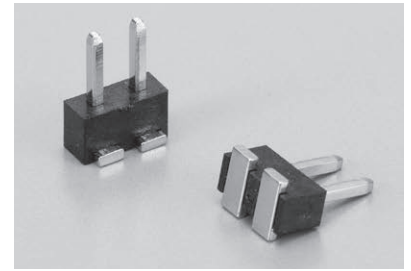


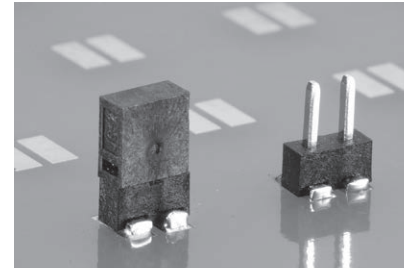
Wrapping terminal for surface mounting (Pitch: 2mm)

Part No.: **HWC-2P-G**

- This wrapping terminal can stand on a surface mounting board.
- Pitch: 2 mm, 2P connected
- By combining with JS-2, this can be used as a substitute for a switch.
- Reflow can be used for this type.
- Material Pin part: Brass
Resin part: PPS black (UL94V-0)
- Finish: Gold plating over nickel base ● Rated current: 3A
- Insulation resistance: 500M Ω or over
- Withstand voltage: 1000V AC, DC per minute
- Operating temperature range: - 40 to + 125℃

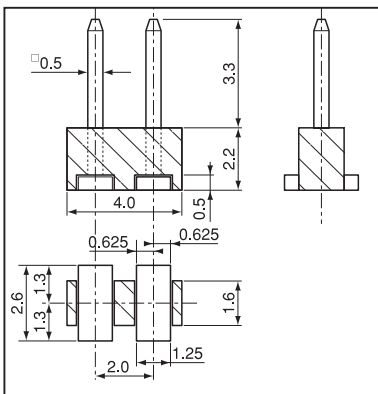


■ Example of usage



Combination of HWC-2P-G and JS-2

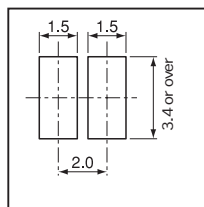
■ Dimension



■ Part No.

HWC-2P-G (100pcs/pack)

■ Recommended land information



Tape-and-reel with a combination of HWC-2P-G and JS-2A

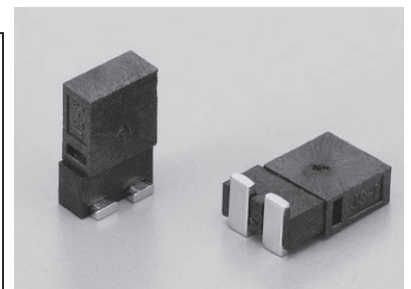
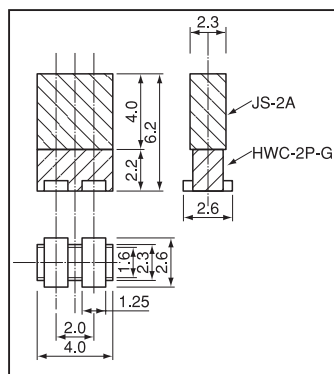
Part No.: **HWC-2-J**

- This type is configured by inserting JS-2A to HWC-2-PG described above and carrying out taping.
- Please reflow with a mounter directly.
- When it is mounted, it is set to ON. Please remove JS-2A to set it to OFF.

■ Part No.

HWC-2-J (700pcs/reel)

■ Dimension



- JS-2A has the same dimensions as JS-2, excluding 2.3. JS-2A is for reflow.

■ Dimension of the reel

