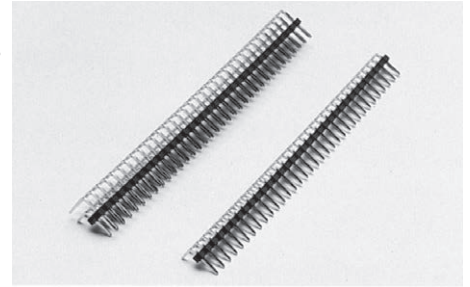


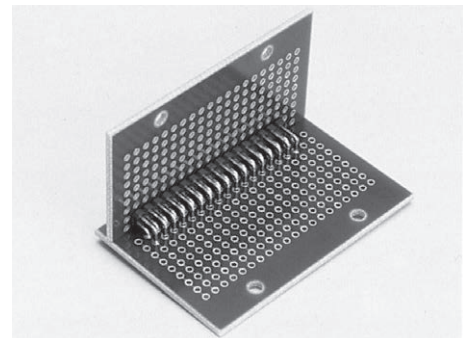
Wrapping terminal of angle connected type

WLA series (10pcs/pack)

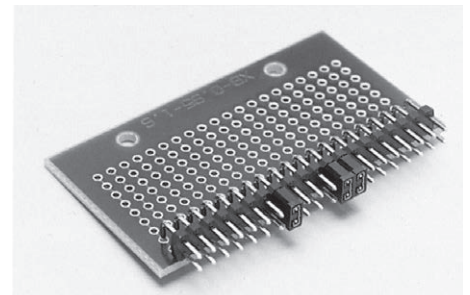
- This wrapping terminal is angle type connected with a pitch of 2.54mm.
- By combining with the jumper socket (Part No.: JS-1), switching function is available.
- A board can be connected at right angle with another board.
- As 34 pins are connected, please cut WLA-1 series (one-row type) to the desired number of poles by using a mold cutting nipper (Part No.: MOC-3)
- We will cut WLA series to the desired number of poles before delivery.
- Printed board fitting hole diameter: ϕ 1.0
- Material Resin part: PBT black (UL94V-0)
Pin part: Phosphor bronze
- Finish: Pin part: Gold plating over nickel base
- Rated current: 3A
- Rated voltage: 250V AC, DC
- Insulation resistance: 500M Ω or over
- Withstand voltage: 1000V AC, DC per minute
- Operating temperature range: - 40 to + 125°C



■ Example of usage



Case of a printed board is put at right angle

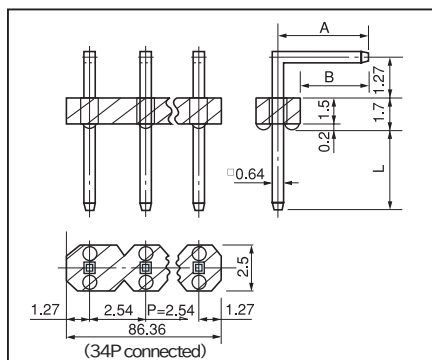


Case of WLA-2-2 and JS-1 are used together

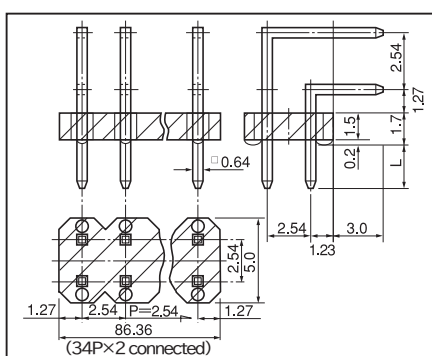
■ How to order:

WLA-1-1-10P
WLA-2-1-10PW

↑ Please fill in the desired number of poles.
(WLA-2 series fill in the desired number of poles on one side.)



WLA-1 series



WLA-2 series

WLA-1 series

Part No.	L	A	B
WLA-1-1	3.0	5.0	3.75
WLA-1-2	4.3	5.0	3.75
WLA-1-3	3.0	4.25	3.0
WLA-1-4	4.3	4.25	3.0
WLA-1-5	4.3	5.55	4.3

WLA-2 series

Part No.	L
WLA-2-1	3.0
WLA-2-2	4.3