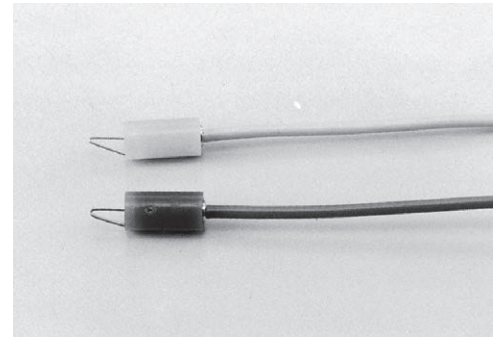


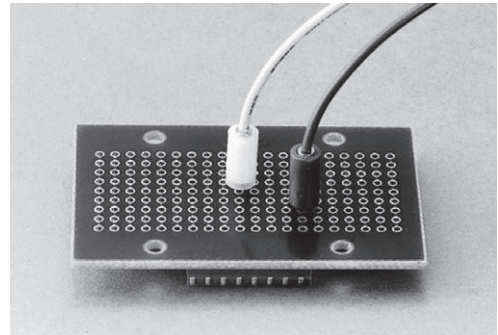
Conthrough series for check

Part No.: **XC-2, XC-3** (10pcs/pack)

- Signal check can be carried out just by inserting to the through hole.
- Signal can be supplied from the through hole.
- Six resin colors are available (BLACK, WHITE, RED, YELLOW, BLUE, GREEN).
- 50cm-long electric wire (AWG22) is included.
- Material
 - Contact part: Beryllium copper
 - Gold plating over nickel base
 - Body: Brass
 - Gold plating over nickel base
 - Resin part: Acetal copolymer (UL94HB)
- Electric wire: AWG22
- Rated current: 1A
- Rated voltage: 125V AC, DC
- Contact resistance: 30m Ω or less
- Adaptive through hole diameter for printed board: XC-2: φ 1.0 to φ 1.4
XC-3: φ 1.4 to φ 1.7
- Adaptive printed board thickness: t0.8 to t3.2
- Operating temperature range: - 40 to + 80°C
- Operating humidity range: 0 to 85%RH (Without dew condensation.)
- Frequency of use: 50 times or less (for the same through hole)

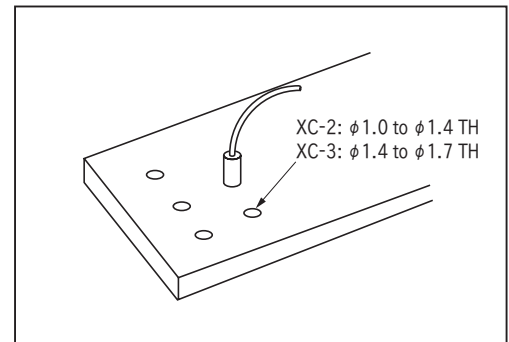


■ Example of usage



■ Part No.

Part No.	Adaptive through hole diameter
XC-2	φ 1.0 to φ 1.4
XC-3	φ 1.4 to φ 1.7

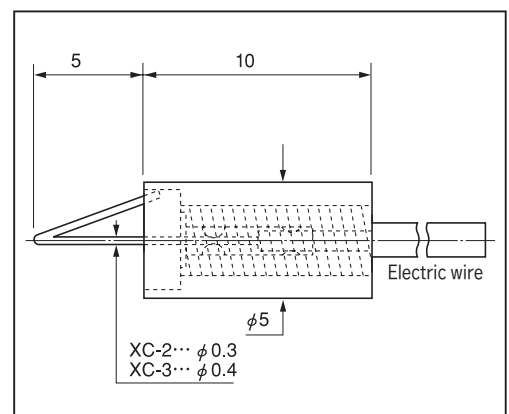


■ How to order

XC-2 RED

↑ Please specify the resin color.
(Six colors: BLACK, WHITE, RED, YELLOW, BLUE, GREEN)
· The color of electric wire and resin is the same.

■ Dimension



■ Instructions for use

- This product cannot be used for a copper through hole board. (Due to quick oxidization of copper)