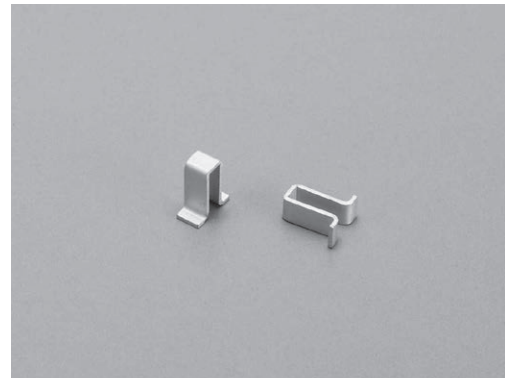


Test point for surface mounting

**HK-7 series**

- This test point is for chip mounter use.
- This can also be used for pattern heat dissipation.
- This is tall and suitable when the parts nearby are tall.
- This is stored in an embossed tape.
- In the case of reflow with normal cream solder, the strength will be increased by using the land shape size of 2.5 × 2.5 or over.
- Material: Brass
- Finish
  - HK-7-G: Gold plating over nickel base
  - HK-7-S: Tin plating over nickel base



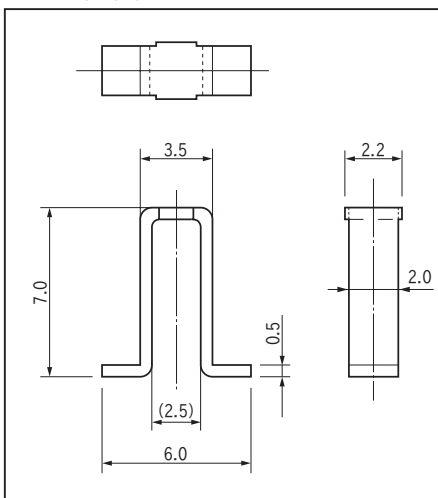
■ Example of usage



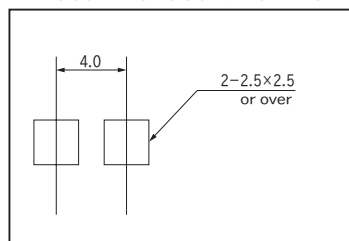
■ Part No.

Part No.	Package
HK-7-G-T	Reel (500pcs/reel)
HK-7-G	Bulk (100pcs/pack)
HK-7-S-T	Reel (500pcs/reel)
HK-7-S	Bulk (100pcs/pack)

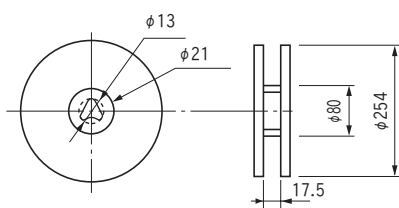
■ Dimension



■ Recommended land information



Dimension of the reel



Dimension of the tape

