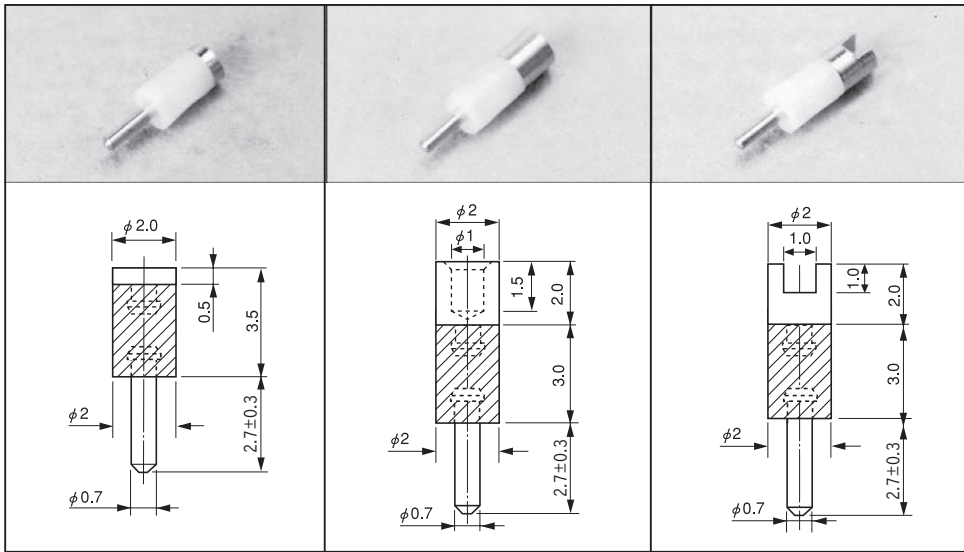
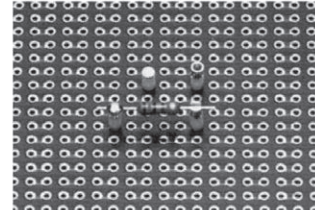
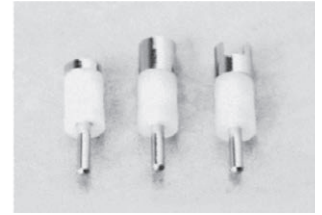


Super-small fluorine terminal

FX series (100pcs/pack)

- This is a super-small fluorine terminal that can be fixed to a PC board by soldering.
- The upper pin and the lower pin are electrically insulated.
- This is used for a part of operational amplifier with minute current and other parts whose performance is not fully achieved with a glass epoxy board.
- Material: Fluorine (milky white) (UL94V-0)
: Brass
- Finish: Gold plating over nickel base
- Printed board fitting hole diameter: ϕ 0.8



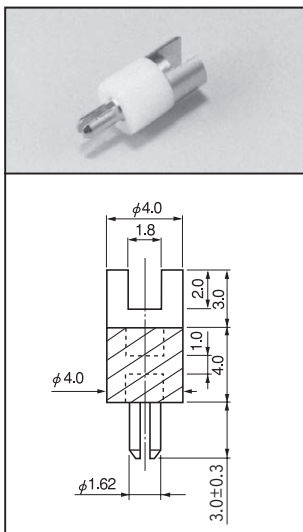
Part No.: FX-1

Part No.: FX-2

Part No.: FX-3

■ **Large type**

- The material and finish are same as those described above.
- Printed board fitting hole diameter: ϕ 1.6



Part No.: FX-30