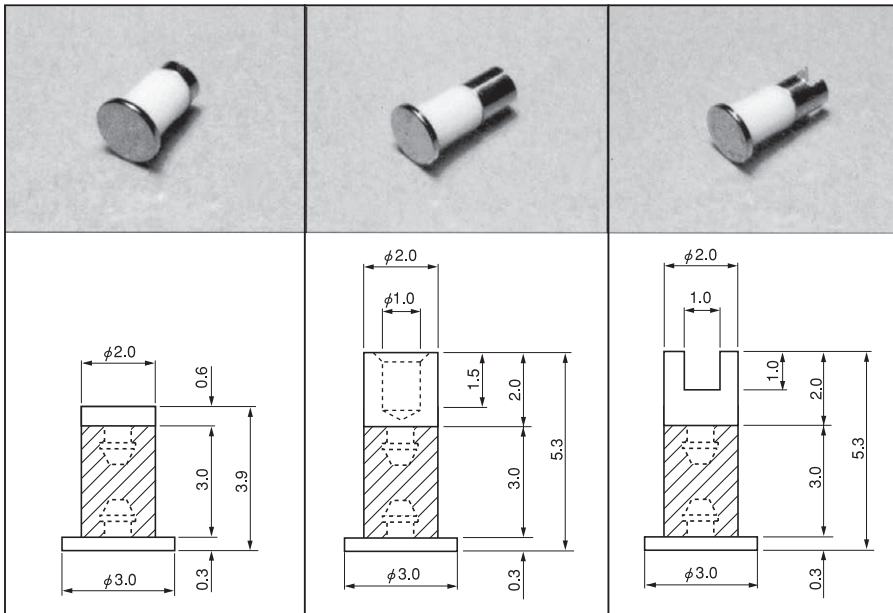
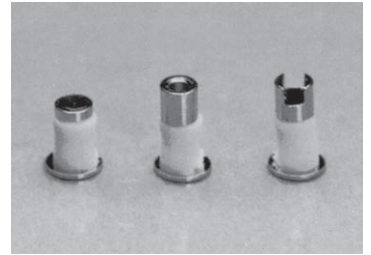


Fluorine terminal for surface mounting

FH series (100pcs/pack)

- This product is used when performance is not fully achieved with a glass epoxy board at high-frequency circuit.
- The upper and lower pins are electrically insulated by fluorine.
- Material: Fluorine (milky white) (UL94-0)
: Brass
- Finish: Gold plating over nickel base
- Recommended land information: ϕ 3.5



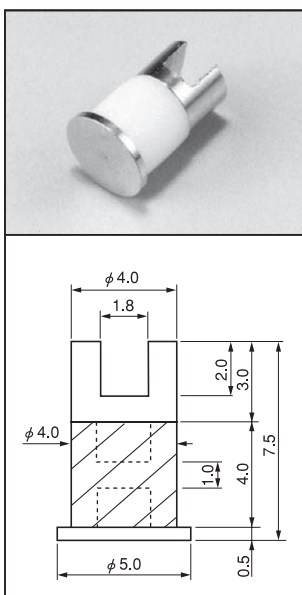
Part No.: FH-1

Part No.: FH-2

Part No.: FH-3

■ **Large type**

The material and finish are the same as those described above.
Recommended land information: ϕ 5.5



Part No.: FH-30