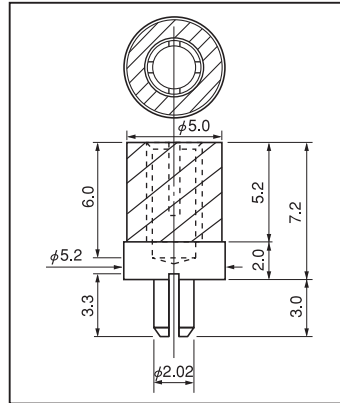
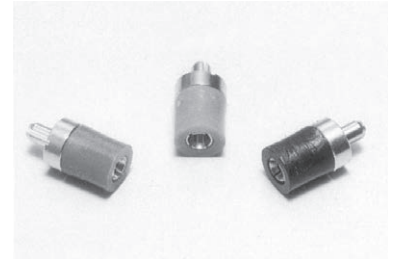


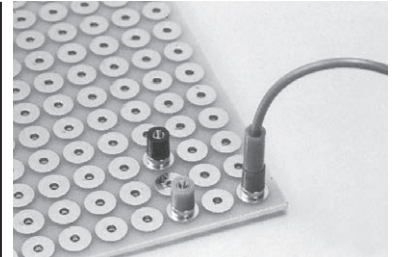
**Socket for  $\phi$  2 male pin**

Part No.: **PA-2-A** (10pcs/pack)

- This socket is for a male pin of  $\phi$  2.0
- Adaptive male pins are OP-7-1, OP-7-2, and OP-7-2-100 (with electric wire).
- This is used for a power supply to a PC board and for checking, etc.
- Six colors, BLACK, RED, YELLOW, GREEN, BLUE, WHITE are available.
- Material
  - Socket part: Phosphor bronze
  - Resin part: Fluorine resin (UL94V-0)
- Finish: Gold plating over nickel base
- Resin color: BLACK, RED, YELLOW, GREEN, BLUE, WHITE
- Adaptive male pin diameter:  $\phi$  2.0
- Insertion forces: 800g or less
- Removal forces: 100g or over
- Insertion / removal durability : 1000 cycles
- Rated current: 10A
- Contact resistance: 20m  $\Omega$  or less
- Insulation resistance: 1000M  $\Omega$  or over
- Withstand voltage: 1000V AC, DC per minute
- Operating temperature range: - 55 to + 150°C
- Printed board fitting hole diameter:  $\phi$  2.0



**Example of usage**



Combination of PA-2-A and OP-7-2-100

**How to order:**

PA-2-A RED



Please specify the resin color. (BLACK, RED, YELLOW, GREEN, BLUE, WHITE)

\* In order to increase the strength of the fluorine resin part, we have changed the conventional molded type to a cutting type.

(Part No.: PA-2-A) (The dimensions are the same as those of the conventional item.)