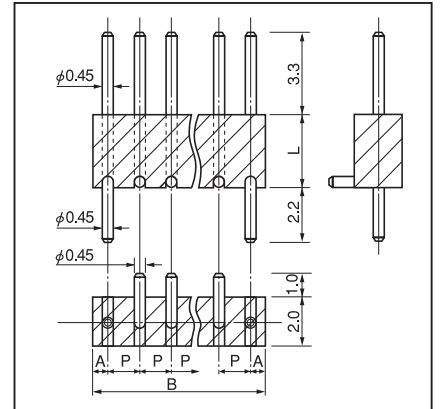
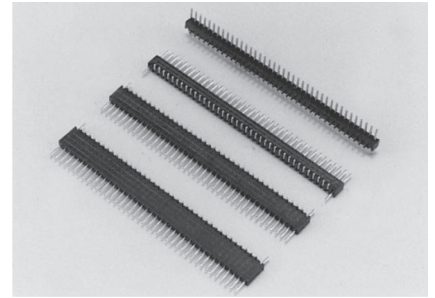


Terminal for two-tiered installation for surface mounting

OAS series (10pcs/pack)

- This is used for fitting a surface mounting board to a surface mounting board by two-tiered installation (insertion / removal type).
- The socket side is OBS series.
- Two types (with a pitch of 1.27mm and 2.54 mm) are available.
- Material Resin part: PPS black (UL94V-0)
Pin part: Phosphor bronze
- Finish: Gold plating over nickel base
- Rated current: 2A
- Insulation resistance: 500M Ω or over
- Withstand voltage:
OAS-1 series: 700V AC, DC per minute
OAS-3 series: 1000V AC, DC per minute
- Operating temperature range: - 40 to + 125℃



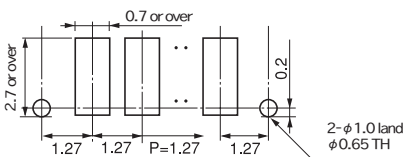
■ Part No.

Part No.	L	A	B	P	Maximum number of pins connected	H
OAS-1-2	2	0.635	50.8	1.27	40	7
OAS-1-3	3	0.635	50.8	1.27	40	8
OAS-1-4	4	0.635	50.8	1.27	40	9
OAS-1-5	5	0.635	50.8	1.27	40	10
OAS-3-2	2	1.27	50.8	2.54	20	7
OAS-3-3	3	1.27	50.8	2.54	20	8
OAS-3-4	4	1.27	50.8	2.54	20	9
OAS-3-5	5	1.27	50.8	2.54	20	10

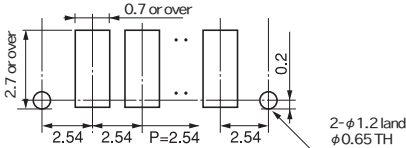
- * The dimension H is the distance between the master board and the slave board when this product is combined with OBS.
- * The positioning pins can be used electrically.

■ Recommended land information

● OAS-1 series



● OAS-3 series

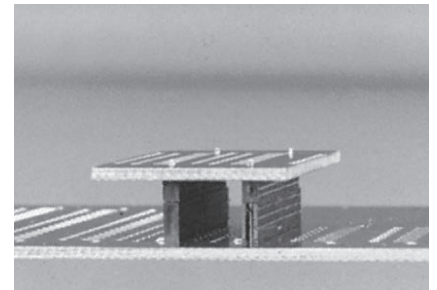


■ How to order

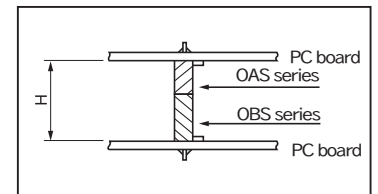
OSA-1-2-10P

↑
Please fill in the desired number of poles.
(Please fill in the number of poles including the positioning pin.)
(With 8P as the pins for face mounting and 2P as the positioning pins)

■ Example of usage



When OAS and OBS are combined



■ Instructions for mounting

- In the case that a warpage occurs on the resin part during reflow because many pins are connected for use, apply an adhesive to several positions and fix.