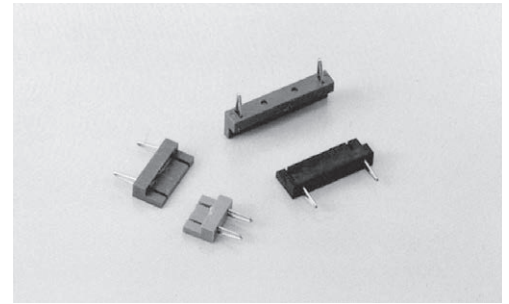


Jyanta / Jumper for printed board

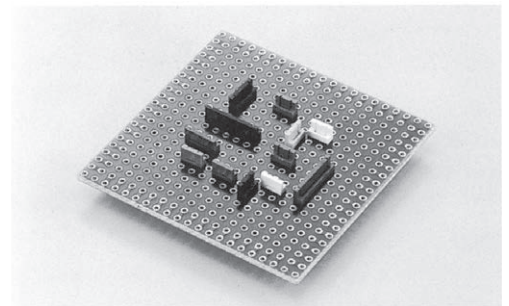
Part No.: **XX-□H** (100pcs/pack)

- Six colors (BLACK, WHITE, RED, YELLOW, BLUE, GREEN)
- Material
Pin part: Beryllium copper Gold plating over nickel base
Resin part: PBT resin (UL94V-0)
- Rated current: 1A
- Rated voltage: 125V AC, DC
- Contact resistance: 30m Ω or less
- Insulation resistance: 500M Ω or over
- Withstand voltage: 1000V AC, DC per minute
- Adaptive through hole for PC board: φ 0.8 to φ 0.9 for the TH finish diameter (Please make a hole of φ 0.85 as the main diameter.)
- Adaptive printed board thickness: t0.8 to t1.6
- Operating temperature range: - 40 to + 125°C
- Operating humidity range: 0 to 85% RH (Without dew condensation.)
- Frequency of use: 50 times or less (for the same through hole)
- Insertion / removal forces

Through hole	Insertion forces	Removal forces
φ 0.8	1000g or less	200g or over
φ 0.85	600g or less	100g or over
φ 0.9	300g or less	30g or over



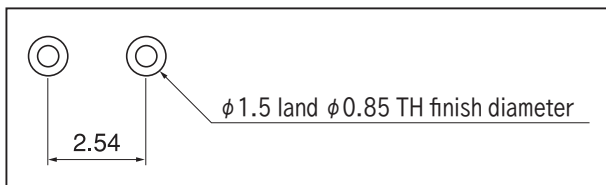
■ Example of usage



■ Part No.

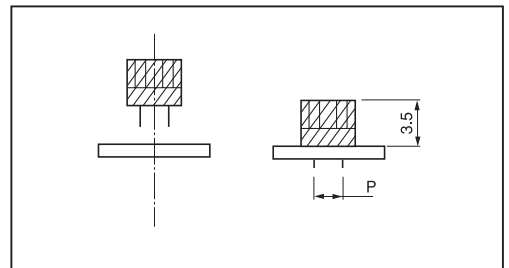
Part No.	P	A
XX-2H	2.54	4.94
XX-3H	5.08	7.48
XX-4H	7.62	10.02
XX-5H	10.16	12.56

■ Recommended land information

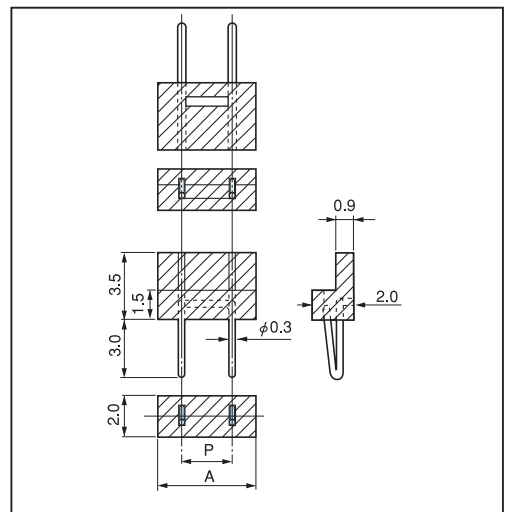


■ How to order

XX-2H RED
 ↑ Please specify the color.
 (BLACK, WHITE, RED, YELLOW, BLUE, GREEN)



■ Dimension



■ Instructions for use

- This product cannot be used for a copper through hole board. (Due to quick oxidization of copper)