

**Jyanta / Jumper for printed board**

Part No.: **XX-□** (100pcs/pack)

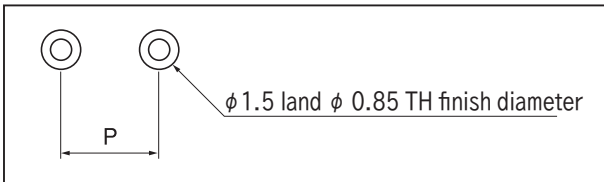
- Pitch: 5.08 mm, 7.62 mm, 10.16 mm
- Six colors (BLACK, WHITE, RED, YELLOW, BLUE, GREEN)
- Material  
Pin part: Beryllium copper Gold plating over nickel base  
Resin part: PBT resin (UL94V-0)
- Rated current: 1A
- Rated voltage: 125V AC, DC
- Contact resistance: 50m Ω or less
- Insulation resistance: 500M Ω or over
- Withstand voltage: 1000V AC, DC per minute
- Adaptive through hole for printed board: φ 0.8 to φ 0.9 for the TH finish diameter (Please make a hole of φ 0.85 as the main diameter.)
- Adaptive printed board thickness: t0.8 to t1.6
- Operating temperature range: - 40 to + 125°C
- Operating humidity range: 0 to 85% RH (Without dew condensation.)
- Frequency of use: 50 times or less (for the same through hole)
- Insertion / removal forces

Through hole	Insertion forces	Removal forces
φ 0.8	1000g or less	200g or over
φ 0.85	600g or less	100g or over
φ 0.9	300g or less	30g or over

■ Part No.

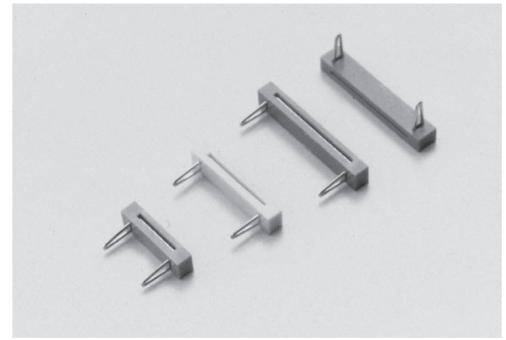
Part No.	P	A
XX-3	5.08	7.48
XX-4	7.62	10.02
XX-5	10.16	12.56

■ Recommended land information

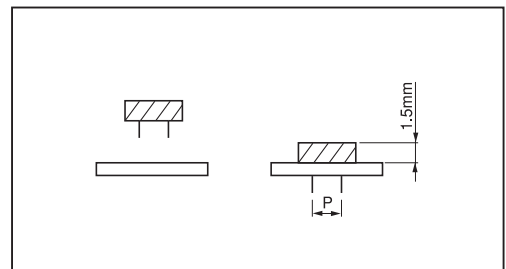
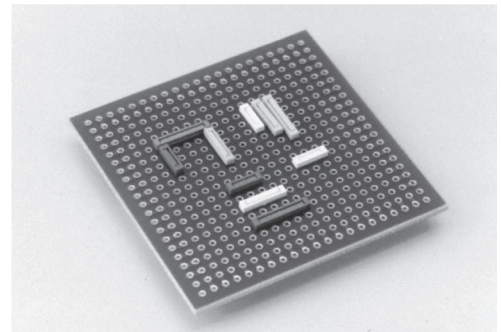


■ How to order

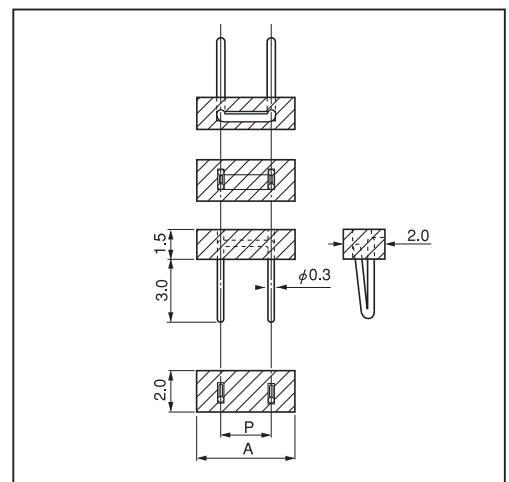
XX-□ RED  
 ↑  
 Please specify the color.  
 (BLACK, WHITE, RED, YELLOW, BLUE, GREEN)



■ Example of usage



■ Dimension



■ Instructions for use

- This product cannot be used for a copper through hole board. (Due to quick oxidization of copper)
- This product is small and if it is pulled out with pliers, the resin part may be broken.  
When pulling out, please pull it out gently with your hand.