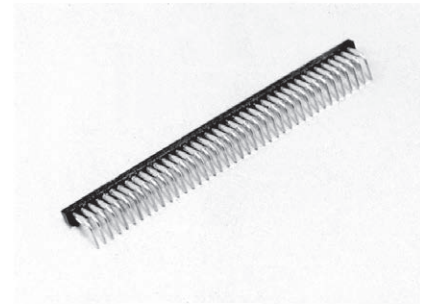


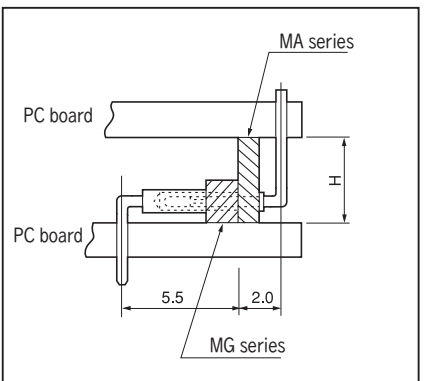
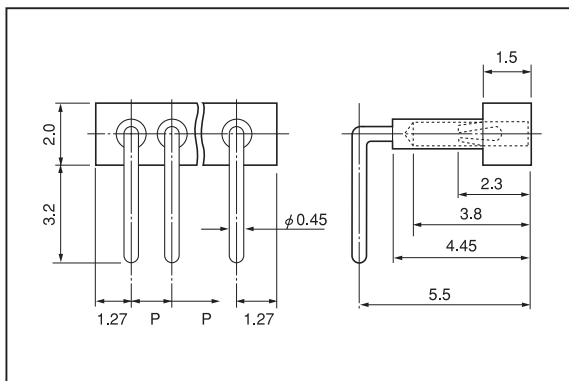
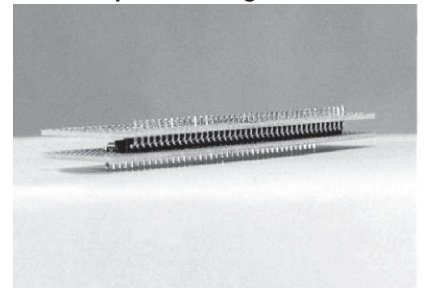
**Socket for parallel two-tiered installation of super-small boards (Pitch: 1.27 mm, 2.54 mm)**

**MG series (10pcs/pack)**

- This is used for mounting super-small boards in parallel by two-tiered installation or for insertion / removal with a slave board in right angle.
- MA series are available as the male pin.
- Two types, of pitch (1.27mm and 2.54mm) are available.
- Material
  - Resin part: PCT resin black (UL94V-0)
  - Socket part Body part: Brass, Finish: Please check below table
  - Contact part: Beryllium copper, Finish: Gold plating over nickel base
- Insulation resistance: 500M Ω or over
- Withstand voltage: 500V AC, DC per minute (MG-1-1) (MG-10-1)  
1000V AC, DC per minute (MG-3-1) (MG-30-1)
- Rated current: 1A
- Contact resistance: 10m Ω or less
- Insertion / removal forces: 20g or over (per pin)
- Insertion / removal durability : 100 cycles
- Operating temperature range: - 40 to + 125°C
- Adaptive male pin diameter: φ 0.4 to φ 0.5
- Printed board fitting hole diameter: φ 0.6



■ Example of usage



■ Part No.

Part No.	P	Body plating	Number of pins connected
MG-1-1	1.27	Tin	40
MG-10-1	1.27	Gold	40
MG-3-1	2.54	Tin	20
MG-30-1	2.54	Gold	20

■ How to order:

MG-1-1-10P

↑ Please fill in the number of poles.  
(If the number is not specified, we will deliver the part of the maximum number of connection.)