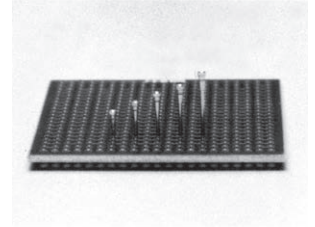


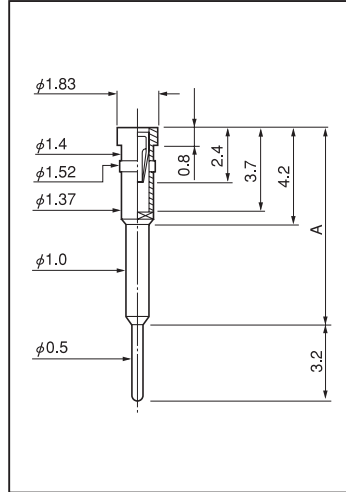
Long-legged socket

WD series (100pcs/pack)

- This socket has a long leg. This is used for high overlaying and for multiple-tiered installation.
- Adaptive male pin diameter: ϕ 0.45 to ϕ 0.6
- Printed board fitting hole diameter: ϕ 0.6



Part No.	A	Plating specification	
		Contact	Body
WD-6	6.0	Gold	Tin
WD-60	6.0	Gold	Gold
WD-8	8.0	Gold	Tin
WD-80	8.0	Gold	Gold
WD-10	10.2	Gold	Tin
WD-100	10.2	Gold	Gold
WD-12	12.0	Gold	Tin
WD-120	12.0	Gold	Gold
WD-15	15.0	Gold	Tin
WD-150	15.0	Gold	Gold

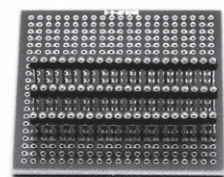
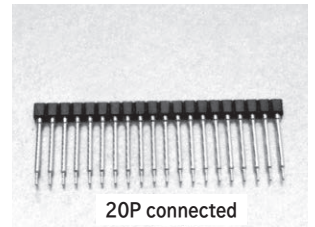
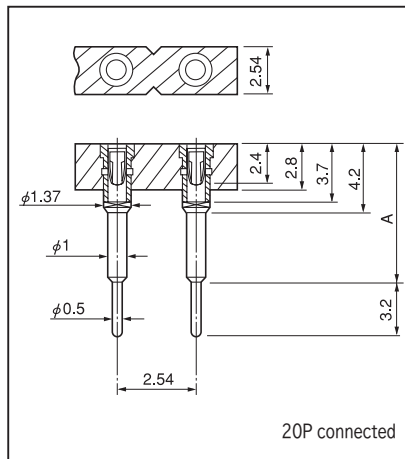


Long-legged socket

WM series (10pcs/pack)

- This socket has a long leg. This is used for high overlaying and for multiple-tiered installation.
- Pitch: 2.54 mm, 20P connected
- Adaptive male pin diameter: ϕ 0.45 to ϕ 0.6
- Printed board fitting hole diameter: ϕ 0.8

Part No.	A	Plating specification	
		Contact	Body
WM-6	6.0	Gold	Tin
WM-60	6.0	Gold	Gold
WM-8	8.0	Gold	Tin
WM-80	8.0	Gold	Gold
WM-10	10.2	Gold	Tin
WM-100	10.2	Gold	Gold
WM-12	12.0	Gold	Tin
WM-120	12.0	Gold	Gold
WM-15	15.0	Gold	Tin
WM-150	15.0	Gold	Gold



■ How to order

WM-6-10P Please fill in the number of poles. (Maximum number: 20P)
 (If the number is not specified, we will deliver the part of the maximum number of poles, 20P.)

■ Specification (WD, WM series)

Electrical specification	Rated current	1A
	Rated voltage	125V AC,DC
	Contact resistance	10m Ω or less
	Insulation resistance	500M Ω or over
	Withstand voltage	1000V AC,DC per minute
Mechanical specification	Operating temperature range	- 40 to + 125°C
	Insertion / removal durability	100 cycles
	Insertion / removal forces	70g or over (per pin)

Material	Resin part	PCT black (UL94V-0)
	Inside contact	Beryllium copper
	Body	Brass