

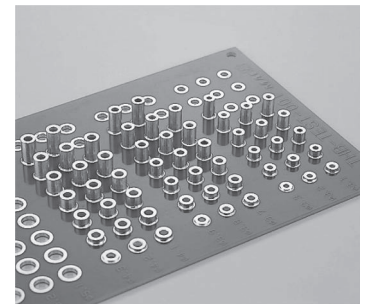
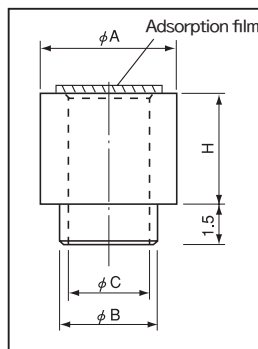
**Through hole tap**  
**THC-1.6 series**

- A chip mounter can be used for this spacer.
- A spacer can be fit on a PC board just by automatically loading it on the PC board and carrying out reflow.
- Spacer with an unloaded hole can be fit on a PC board.
- Tape-and-reel has an adsorption film. Please remove by pushing it from the opposite side after reflow.
- The jig for removing adsorption films (Part No.: TH-JIG) is available.
- Material: Brass
- Finish: Tin plating over nickel base
- Adaptive printed board thickness: t1.6 or over (There is no problem if it is used for other board thickness.)
- Please use the automatic mounter of automatic recognition type.

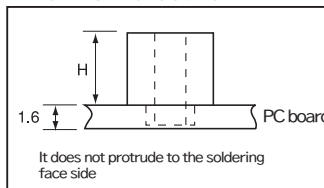
■ Part No.

Part No.	A	B	C	H	quantity per reel
THC-1.6-0.5-2	4.5	3.0	2.1	0.5	450 pcs
THC-1.6-1.0-2	4.5	3.0	2.1	1.0	450 pcs
THC-1.6-1.5-2	4.5	3.0	2.1	1.5	300 pcs
THC-1.6-2.0-2	4.5	3.0	2.1	2.0	300 pcs
THC-1.6-2.5-2	4.5	3.0	2.1	2.5	250 pcs
THC-1.6-3.0-2	4.5	3.0	2.1	3.0	250 pcs
THC-1.6-3.5-2	4.5	3.0	2.1	3.5	200 pcs
THC-1.6-4.0-2	4.5	3.0	2.1	4.0	200 pcs
THC-1.6-4.5-2	4.5	3.0	2.1	4.5	400 pcs
THC-1.6-5.0-2	4.5	3.0	2.1	5.0	400 pcs
THC-1.6-5.5-2	4.5	3.0	2.1	5.5	350 pcs
THC-1.6-6.0-2	4.5	3.0	2.1	6.0	350 pcs
THC-1.6-6.5-2	4.5	3.0	2.1	6.5	300 pcs
THC-1.6-7.0-2	4.5	3.0	2.1	7.0	300 pcs
THC-1.6-7.5-2	4.5	3.0	2.1	7.5	300 pcs
THC-1.6-8.0-2	4.5	3.0	2.1	8.0	300 pcs
THC-1.6-0.5-2.6	5.0	3.6	2.7	0.5	450 pcs
THC-1.6-1.0-2.6	5.0	3.6	2.7	1.0	450 pcs
THC-1.6-1.5-2.6	5.0	3.6	2.7	1.5	300 pcs
THC-1.6-2.0-2.6	5.0	3.6	2.7	2.0	300 pcs
THC-1.6-2.5-2.6	5.0	3.6	2.7	2.5	250 pcs
THC-1.6-3.0-2.6	5.0	3.6	2.7	3.0	250 pcs
THC-1.6-3.5-2.6	5.0	3.6	2.7	3.5	200 pcs
THC-1.6-4.0-2.6	5.0	3.6	2.7	4.0	200 pcs
THC-1.6-4.5-2.6	5.0	3.6	2.7	4.5	400 pcs
THC-1.6-5.0-2.6	5.0	3.6	2.7	5.0	400 pcs
THC-1.6-5.5-2.6	5.0	3.6	2.7	5.5	350 pcs
THC-1.6-6.0-2.6	5.0	3.6	2.7	6.0	350 pcs
THC-1.6-6.5-2.6	5.0	3.6	2.7	6.5	300 pcs
THC-1.6-7.0-2.6	5.0	3.6	2.7	7.0	300 pcs
THC-1.6-7.5-2.6	5.0	3.6	2.7	7.5	300 pcs
THC-1.6-8.0-2.6	5.0	3.6	2.7	8.0	300 pcs
THC-1.6-8.5-2.6	5.0	3.6	2.7	8.5	250 pcs
THC-1.6-9.0-2.6	5.0	3.6	2.7	9.0	250 pcs
THC-1.6-9.5-2.6	5.0	3.6	2.7	9.5	250 pcs
THC-1.6-10-2.6	5.0	3.6	2.7	10.0	250 pcs
THC-1.6-0.5-3	5.5	4.0	3.1	0.5	450 pcs
THC-1.6-1.0-3	5.5	4.0	3.1	1.0	450 pcs
THC-1.6-1.5-3	5.5	4.0	3.1	1.5	300 pcs
THC-1.6-2.0-3	5.5	4.0	3.1	2.0	300 pcs
THC-1.6-2.5-3	5.5	4.0	3.1	2.5	250 pcs
THC-1.6-3.0-3	5.5	4.0	3.1	3.0	250 pcs
THC-1.6-3.5-3	5.5	4.0	3.1	3.5	200 pcs
THC-1.6-4.0-3	5.5	4.0	3.1	4.0	200 pcs
THC-1.6-4.5-3	5.5	4.0	3.1	4.5	400 pcs
THC-1.6-5.0-3	5.5	4.0	3.1	5.0	400 pcs
THC-1.6-5.5-3	5.5	4.0	3.1	5.5	350 pcs
THC-1.6-6.0-3	5.5	4.0	3.1	6.0	350 pcs
THC-1.6-6.5-3	5.5	4.0	3.1	6.5	300 pcs
THC-1.6-7.0-3	5.5	4.0	3.1	7.0	300 pcs
THC-1.6-7.5-3	5.5	4.0	3.1	7.5	300 pcs
THC-1.6-8.0-3	5.5	4.0	3.1	8.0	300 pcs
THC-1.6-8.5-3	5.5	4.0	3.1	8.5	250 pcs
THC-1.6-9.0-3	5.5	4.0	3.1	9.0	250 pcs
THC-1.6-9.5-3	5.5	4.0	3.1	9.5	250 pcs
THC-1.6-10-3	5.5	4.0	3.1	10.0	250 pcs

■ Dimension



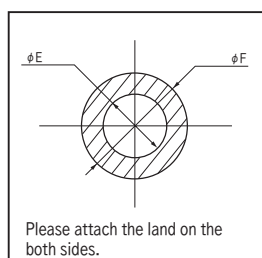
■ Condition of fitting to the PC board



■ Example of usage

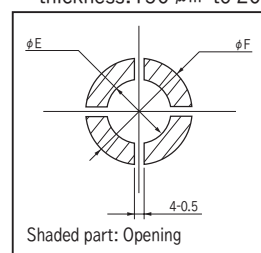


■ Recommended land information



■ Recommended metal mask

(Recommended metal mask thickness: 150 μm to 200 μm)



Part No.	+0.1 -0	
	E	F
THC-1.6-□-2	3.2	5.5
THC-1.6-□-2.6	3.8	6.0
THC-1.6-□-3	4.2	6.5

■ To order bulk product

THC-1.6-□-□-□-**B**

↑ Please specify -B.

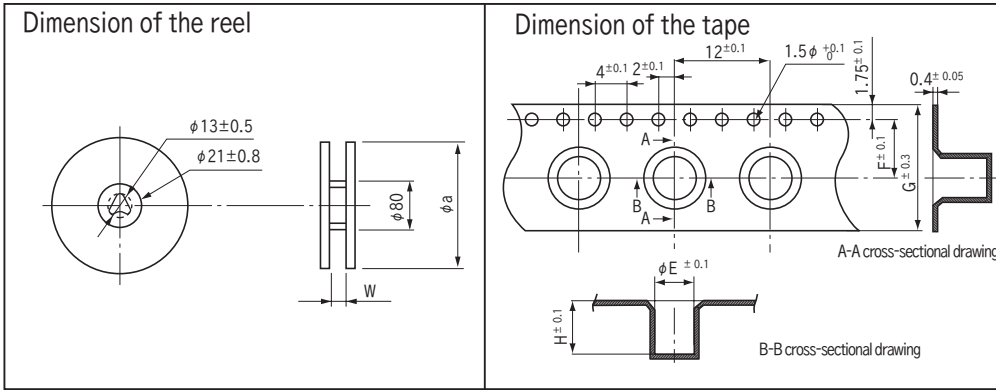
- 100pcs/pack
- Adsorption films are not put on the separate products.

▲ Use of a through hole tap is limited to a through hole board.  
(It is impossible to use it for a one-sided board and non through hole board.)

Dimension of the through hole tap reel

**THC-1.6 series**

■ Dimension of the reel



	H	W	a		E	F	G
THC-1.6-0.5 to 1.0	2.8	17.5	180	2 type (0.5 to 8.0)	4.8	7.5	16
THC-1.6-1.5 to 2.0	3.8	17.5	180	2.6 type (0.5 to 9.0)	5.3	7.5	16
THC-1.6-2.5 to 3.0	4.8	17.5	180	3 type (0.5 to 9.0)	5.8	7.5	16
THC-1.6-3.5 to 4.0	5.8	17.5	180	2.6 type (9.5 to 10)	5.3	11.5	24
THC-1.6-4.5 to 5.0	6.8	17.5	254	3 type (9.5 to 10)	5.8	11.5	24
THC-1.6-5.5 to 6.0	7.8	17.5	254				
THC-1.6-6.5 to 7.0	8.8	17.5	254				
THC-1.6-7.5 to 8.0	9.8	17.5	254				
THC-1.6-8.5 to 9.0	10.8	17.5	254				
THC-1.6-9.5 to 10	11.8	25.5	254				