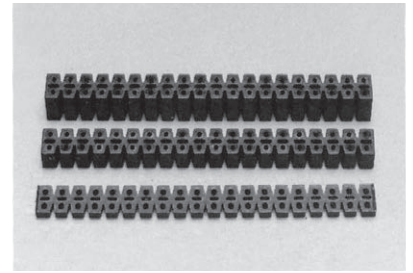


LED spacer (connected type)

LR series (10pcs/pack)

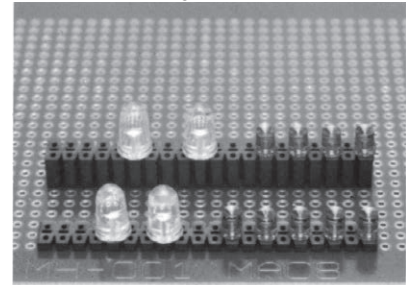
- This LED spacer can be used for an LED with the head diameter of $\phi 3$ and $\phi 5$.
- 20P is connected with a pitch of 2.54 mm. This is used for arranging LEDs consecutively.
- Please use the product by cutting to the desired number of poles.
- Please use the mold cutting nipper (Part number: MOC-3). (Also, we can cut the product. Please refer to the following section of how to order.)
- This can be used vertically and horizontally and it can also fit to a three-legged LED.
- Material: PCT resin (UL94V-0)
- Color: Black
- Operating temperature range: -40 to $+125^{\circ}\text{C}$



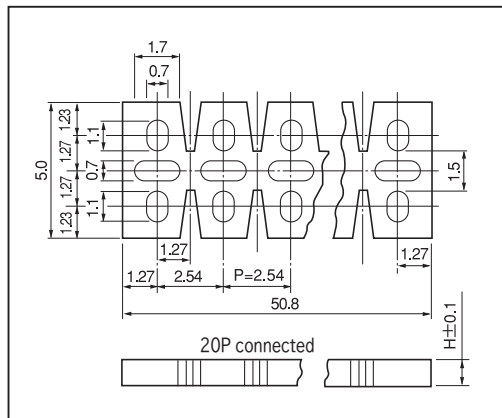
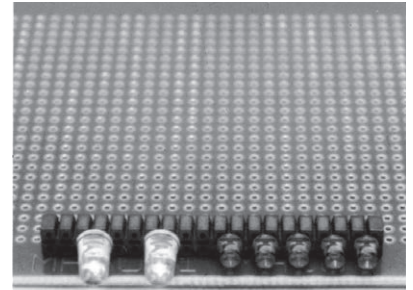
Part No.	H
LR-1	1.0
LR-1.5	1.5
LR-2	2.0
LR-2.5	2.5
LR-3	3.0
LR-3.5	3.5
LR-4	4.0
LR-4.5	4.5
LR-5	5.0
LR-5.5	5.5
LR-6	6.0

■ **Example of usage**

● **Vertical fitting**



● **Horizontal fitting**



■ **How to order**

LR-6-5P



Please fill in the desired number of poles. (Maximum number: 20P)
 * If the number of poles is not specified, we will deliver 20P.