

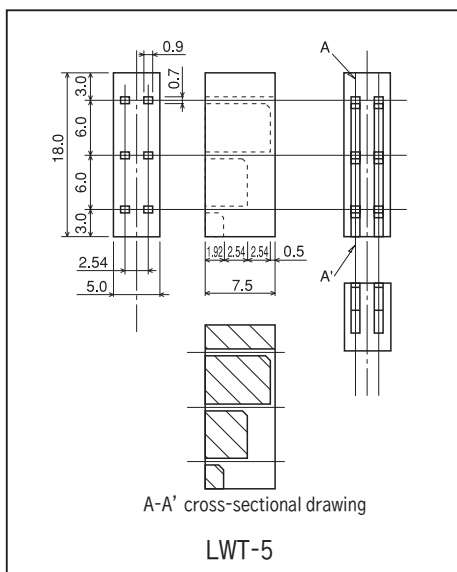
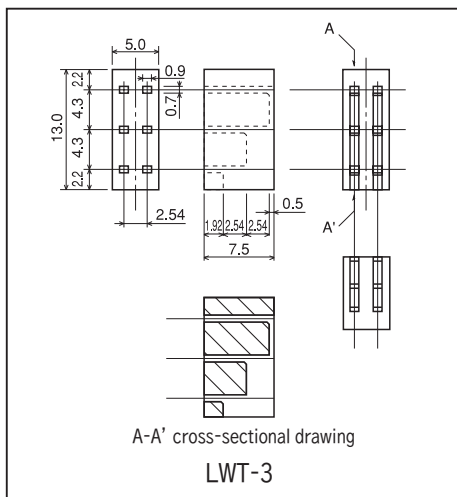
LED spacer (three-tiered installation type)

LWT series (100pcs/pack)

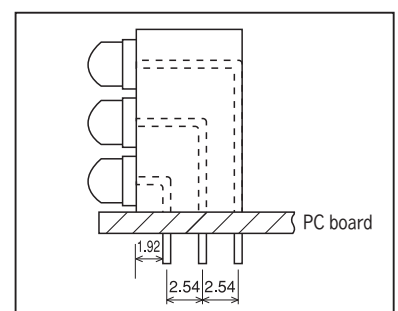
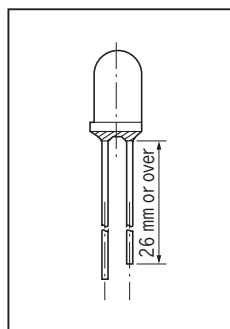
- This spacer is used for fitting LEDs by three-tiered installation.
- Two types are available, one for an LED with the head diameter of $\phi 3$ and another for $\phi 5$.
- Material: PPS resin (UL94V-0)
- Color: Black
- Reflow: Can be used.
- Operating temperature range: $- 40$ to $+ 125^{\circ}\text{C}$

■ Part No.

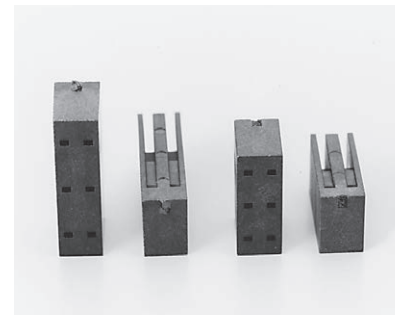
Part No.	LED head diameter
LWT-3	For $\phi 3.0$
LWT-5	For $\phi 5.0$



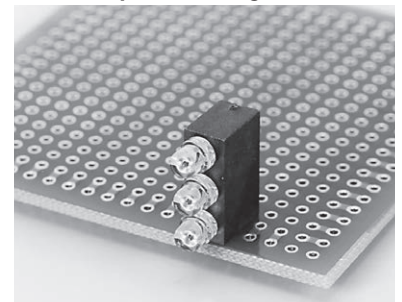
■ Size of the LED that can be fit (LWT-5)



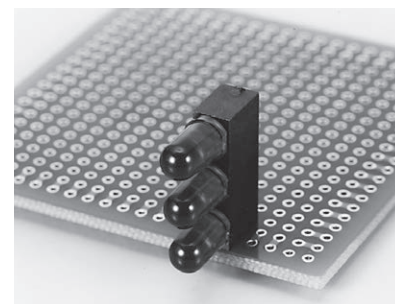
- LWT-5 requires the length of the top LED leg of 26 mm or over.



■ Example of usage



LWT-3



LWT-5