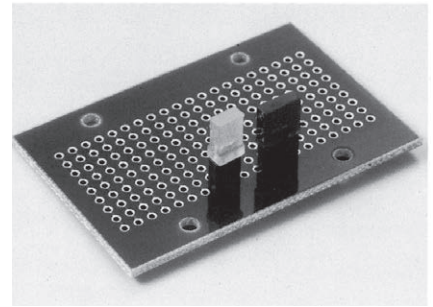


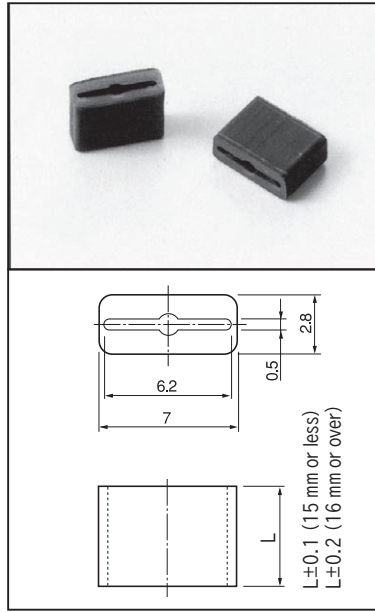
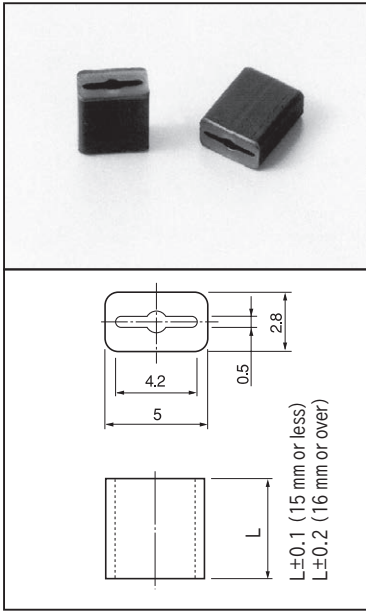
Square LED spacer

**LG, LH series** (100pcs/pack)

- This spacer is used for a square LED.
- This is also used for a three-legged type. (LH series)
- Material: Thermoplastic elastomer (UL94V-0)
- Color: BLACK
- Operating temperature range: - 40 to + 125°C



■ Part No.



Part No.	L
LG-1	1
LG-1.5	1.5
LG-2	2
LG-2.5	2.5
LG-3	3
LG-3.5	3.5
LG-4	4
LG-4.5	4.5
LG-5	5
LG-5.5	5.5
LG-6	6
LG-6.5	6.5
LG-7	7
LG-7.5	7.5
LG-8	8
LG-8.5	8.5
LG-9	9
LG-9.5	9.5
LG-10	10
LG-11	11
LG-12	12
LG-13	13
LG-14	14
LG-15	15
LG-16	16
LG-17	17
LG-18	18
LG-19	19
LG-20	20

Part No.	L
LH-1	1
LH-1.5	1.5
LH-2	2
LH-2.5	2.5
LH-3	3
LH-3.5	3.5
LH-4	4
LH-4.5	4.5
LH-5	5
LH-5.5	5.5
LH-6	6
LH-6.5	6.5
LH-7	7
LH-7.5	7.5
LH-8	8
LH-8.5	8.5
LH-9	9
LH-9.5	9.5
LH-10	10
LH-11	11
LH-12	12
LH-13	13
LH-14	14
LH-15	15
LH-16	16
LH-17	17
LH-18	18
LH-19	19
LH-20	20

