

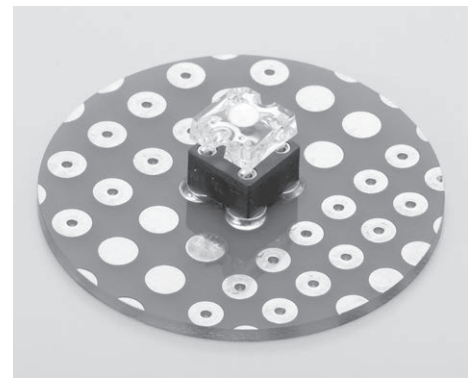
LED socket (square shape) (for SMT)

Part No.: **LQS-4-5** (10pcs/pack)

- This socket for SMT is used for a square-shaped LED.
- This is used for testing, fitting to a SMT board, etc.
- Material
 - Resin part: PPS black (UL94V-0)
 - Socket part Body: Brass
 - Contact: Beryllium copper
 - Finish: Gold plating over nickel base
- Rated current: 3A
- Rated voltage: 125V AC, DC
- Contact resistance: 10m Ω or less (per pin)
- Insulation resistance: 500M Ω or over
- Withstand voltage: 1000V AC, DC per minute
- Insertion / removal durability : 100 cycles
- Insertion / removal forces: 70g or over (per pin)
- Operating temperature range: - 40 to + 125 °C
- Adaptive male pin diameter: φ 0.6 to φ 0.8
 - 0.5 to □0.64
 - 0.4 × 0.76



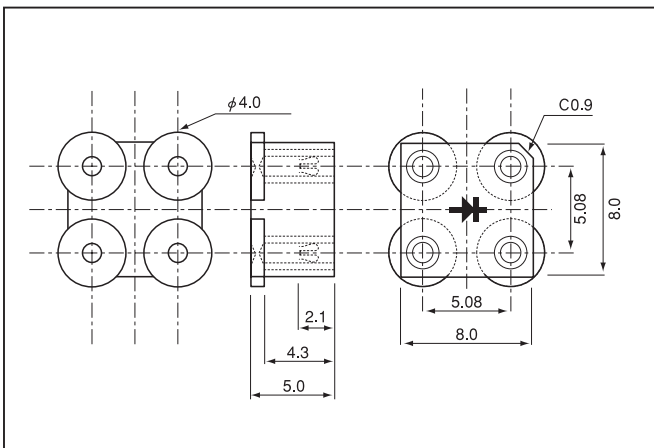
■ Example of usage



■ Part No.

LQS-4-5

■ Dimension



■ Recommended land information

