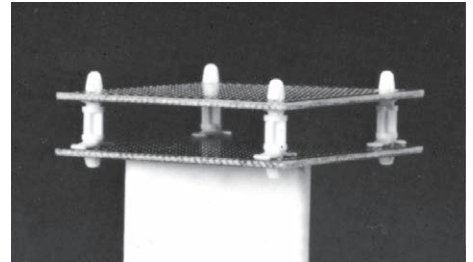
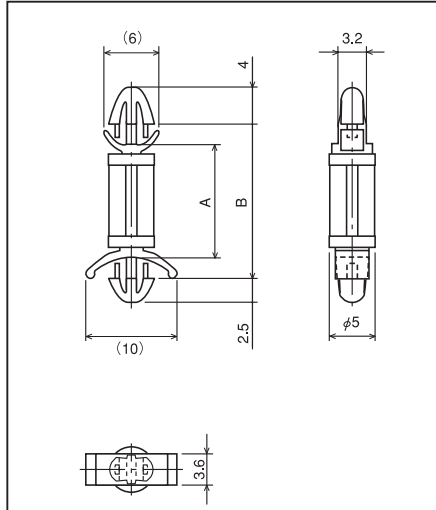
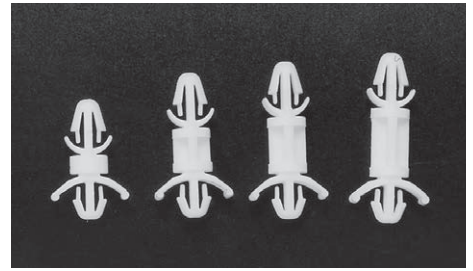


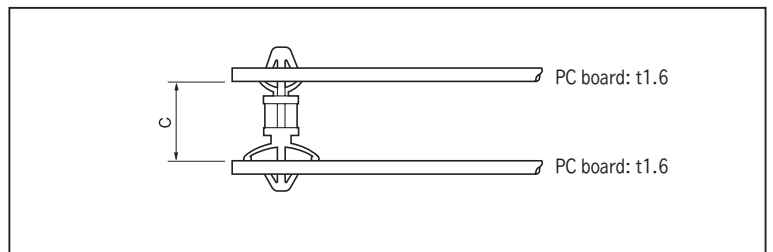
One-touch spacer

YP series (100pcs/pack)

- This spacer can be fit just by insertion.
- This is used for fitting a PC board to a chassis and for mounting PC boards by two-tiered installation.
- Material: Nylon 66 (UL94V-0)
- Color: WHITE
- Operating temperature range: - 20 to + 85°C
- Fitting hole: ϕ 3.4 to ϕ 3.5
(for the both sides)
- Thickness of the board that can be fit:
Upper side: 1.2 to 1.6 mm
Lower side: 0.8 to 1.6 mm



Part No.	A	B	C
YP-6A	4.4	8.9	5.7
YP-7.5A	6.0	10.5	7.3
YP-9A	7.6	12.1	8.9
YP-10.5A	9.2	13.7	10.5
YP-12.5A	10.8	15.3	12.1
YP-13A	12.3	16.8	13.6
YP-17A	15.5	20.0	16.8
YP-27A	25.5	30.0	26.8



- The dimension C is the distance between the PC boards of 1.6mm that are fit in the both sides of this product.