

**Terminal for surface mounting**

**CKW series (1000pcs/pack)**

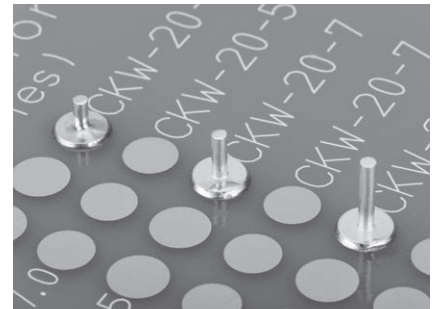
- This can be mounted to surface mounted board
- The size of the flange for mounting (dimension  $\phi B$  part) is big.
- Material.....Brass
- Finish.....Tin plating over nickel base
- Rated current
  - CKW-10 series.....7A
  - CKW-15 series.....12A
  - CKW-20 series.....20A



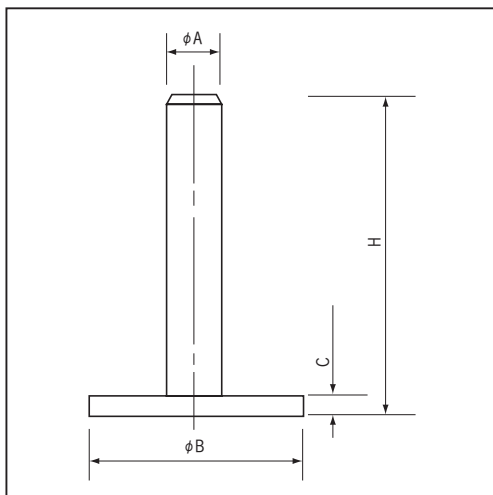
■ Part No.

Part No.	A	B	C	H
CKW-10-5	1.0	4.0	0.4	5
CKW-10-7	1.0	4.0	0.4	7
CKW-10-10	1.0	4.0	0.4	10
CKW-15-5	1.5	5.0	0.65	5
CKW-15-7	1.5	5.0	0.65	7
CKW-15-10	1.5	5.0	0.65	10
CKW-20-5	2.0	7.0	0.65	5
CKW-20-7	2.0	7.0	0.65	7
CKW-20-10	2.0	7.0	0.65	10

■ Example of usage



■ Dimension



■ Recommended land information

