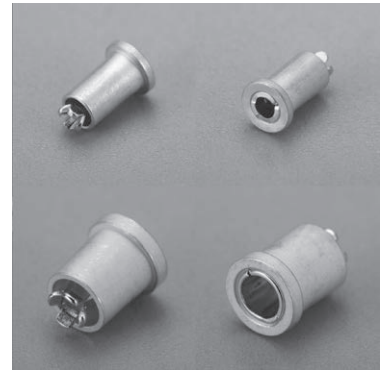


Socket(both direction)

PDB series (100pcs/pack)

- This can be inserted to both part-surface and soldered-surface.
- From soldered-surface, the male pin can contact by its length 1mm
(The holding force is weak, so there needs to beat down by cable tie.)
- Material BodyBrass
ContactBeryllium copper
- Finish BodyTin plating over nickel base
ContactGold plating over nickel base
- Contact resistance 10m Ω or less
- Insertion/removal durability 100 cycles
- Insertion/removal forces 70g or over (PDB-05-2.6)
.....100g or over (PDB-10-3)
- Operating temperature range - 40 ~ + 125°C
- Adaptive printed board thickness ... t1.6 or less
- Rated current
PDB-05-2.61A
PDB-10-35A



■ Example of usage

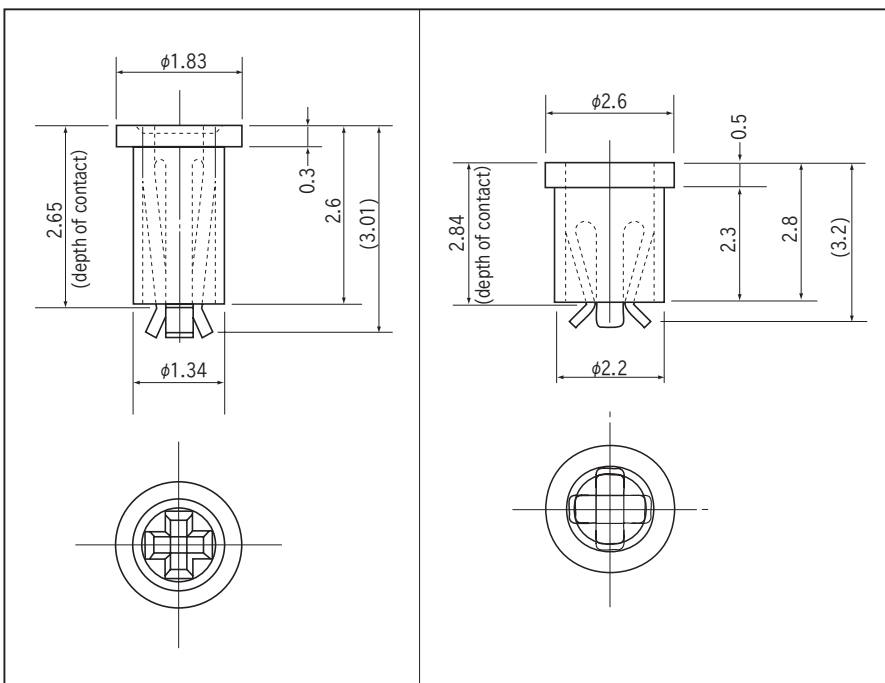


From part-surface
(PDB-05-2.6)

■ Part No.

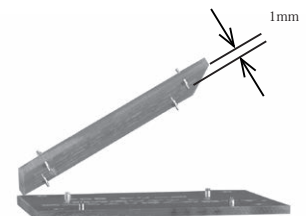
Part No.	Adaptive male pin diameter	Male pin contact point		Printed board fittinghold diameter
		Part-surface side	soldered-surface side	
PDB-05-2.6	φ 0.45 to φ 0.6	2.65	0.5	φ 1.5
PDB-10-3	φ 0.9 to φ 1.0	2.84	0.5	φ 2.3

■ Dimension



PDB-05-2.6

PDB-10-3



From soldered-surface
(PDB-05-2.6)



From soldered-surface
(PDB-05-2.6)

■ Attention

When soldering, please pay attention not to flow the solder to the contact part.
(It's better to solder from the part-surface.)