

Power supply terminal for surface mounting (For M2)

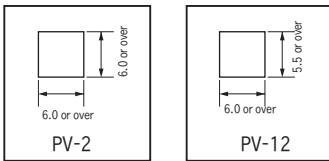
PV-2, PV-12 series

- This is used for supplying power to a surface mounting board.
- Please fit a crimping terminal (for M2) at the edge of electric wire and tighten with a M2 screw.
- Material: Brass
- Finish: Tin plating over nickel base
- Rated current: 20A

Part No.

Part No.	Package
PV-2	Bulk (100pcs/pack)
PV-2-T	Reel (800pcs/reel)
PV-12	Bulk (100pcs/pack)
PV-12-T	Reel (600pcs/reel)

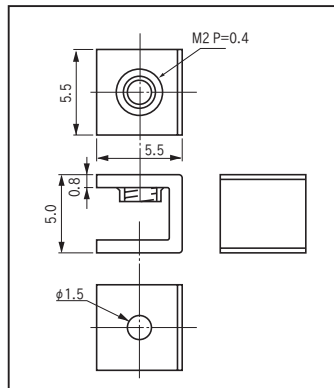
Recommended land information



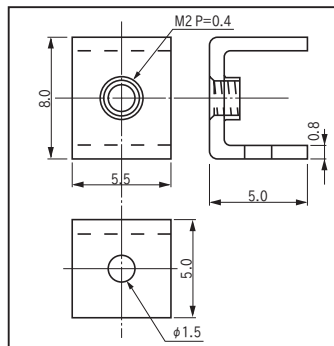
Recommended metal mask thickness
150 μm to 200 μm

Tightening torque
1.5kgf-cm (14.7N-cm) or less

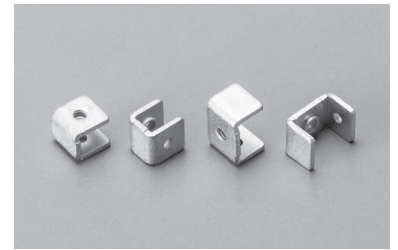
Instructions for use
Adsorption film is put on the screw head part of the PV-2-T. Please remove the film after reflow.



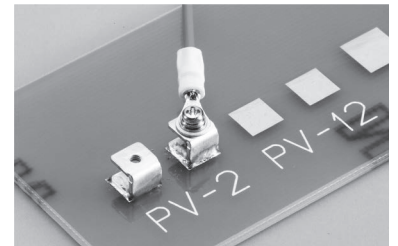
PV-2



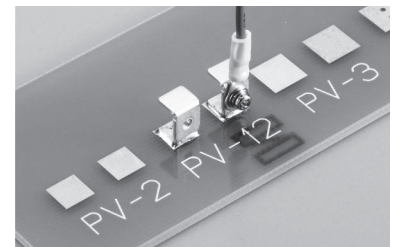
PV-12



Example of usage

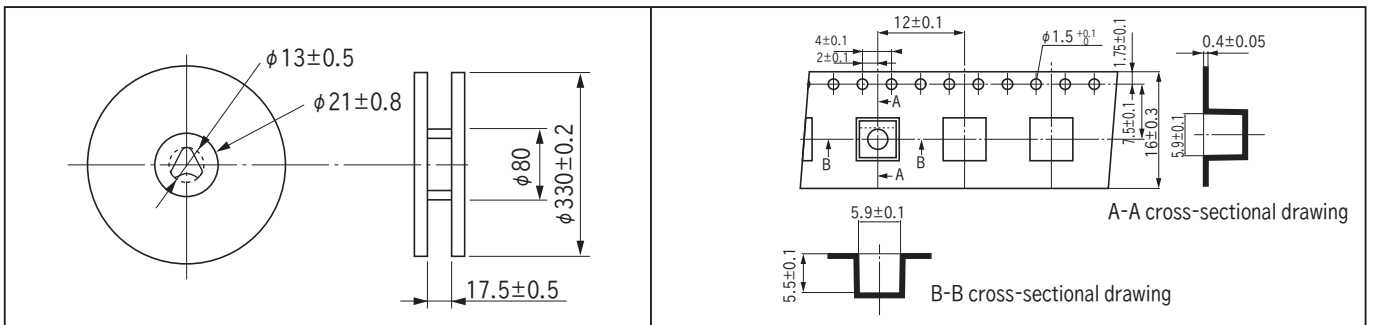


PV-2



PV-12

Dimension of PV-2-T



Dimension of PV-12-T

