

Surface mount terminals

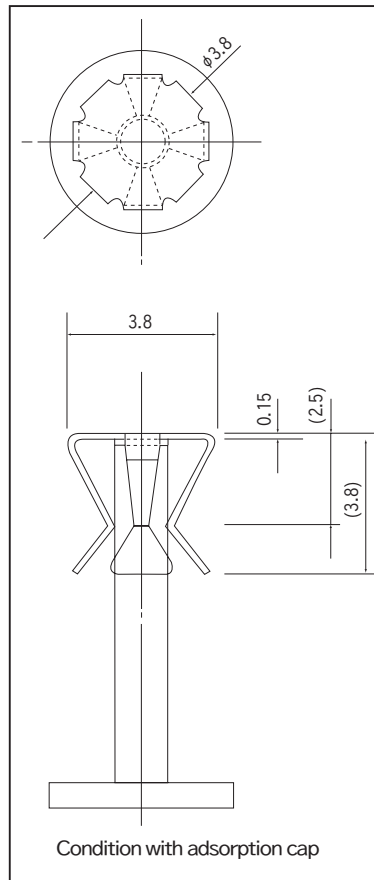
CKW-T series

- CKW series with tape-and-reel package.
- Adsorption cap on the tip (except CKW-20 series.)
- Please remove the cap after reflow.
- Material of adsorption cap: stainless

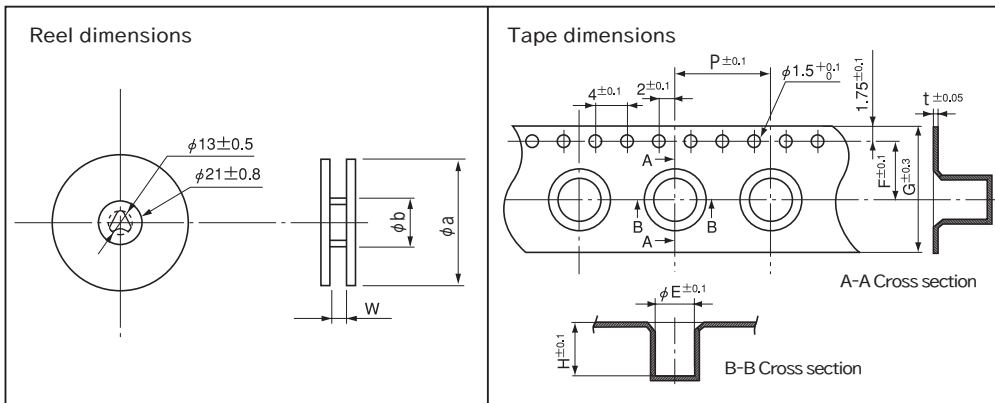


■ Part No.

Part No.	Packing state	Adsorption cap
CKW-10-5-T	(350pcs/reel)	Yes
CKW-10-7-T	(350pcs/reel)	Yes
CKW-10-10-T	(250pcs/reel)	Yes
CKW-15-5-T	(350pcs/reel)	Yes
CKW-15-7-T	(300pcs/reel)	Yes
CKW-15-10-T	(250pcs/reel)	Yes
CKW-20-5-T	(450pcs/reel)	No
CKW-20-7-T	(250pcs/reel)	No
CKW-20-10-T	(200pcs/reel)	No



■ Reel dimensions



Part No.	Reel			E	H	F	G	P	t
	a	b	W						
CKW-10-5-T	180	60	13	4.3	5.75	5.5	12	8	0.4
CKW-10-7-T	254	80	17.5	4.3	7.8	7.5	16	12	0.4
CKW-10-10-T	254	80	17.5	4.3	10.8	7.5	16	12	0.5
CKW-15-5-T	254	80	17.5	5.3	6.8	7.5	16	12	0.4
CKW-15-7-T	254	80	17.5	5.3	7.8	7.5	16	12	0.4
CKW-15-10-T	254	80	17.5	5.3	10.8	7.5	16	12	0.4
CKW-20-5-T	254	80	17.5	7.3	6.0	7.5	16	12	0.4
CKW-20-7-T	254	80	25.5	7.3	8.0	11.5	24	16	0.4
CKW-20-10-T	254	80	25.5	7.3	11.0	11.5	24	16	0.4