

**PC board vertical fitting terminal**

Part No. **BBA-5.0-M3** (100 pcs / pack)

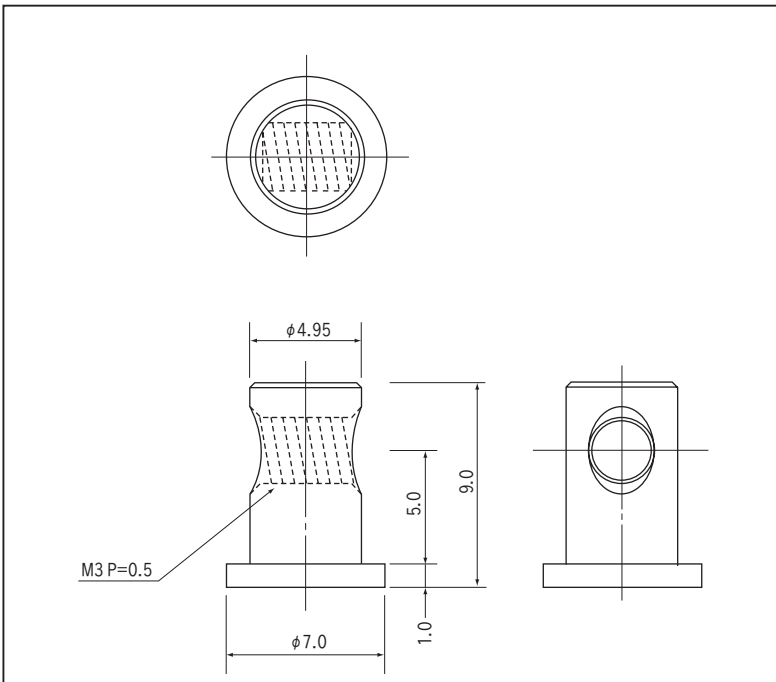
- Possible to fix 2PCB in vertical by screw at one side.
- No need soldering
- Material: Brass
- Finish: Nickel plating
- Operating temperature range: -40°C to +150°C
- Recommended hole diameter (at main board):  $\phi$  5.0
- Recommended hole diameter (at sub board):  $\phi$  3.1
- Adaptive PCB thickness (Main board) 2mm and below (sub board) Free
- There needs to adjust the hole-position of sub PCB side depends on the thickness of main board.



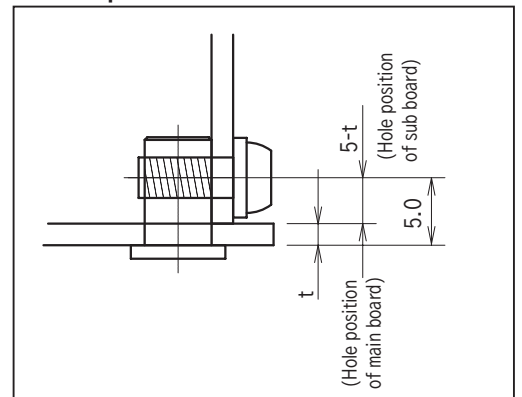
■ Part No.

BBA-5.0-M3

■ Dimension



■ Hole position of sub board



■ How to use

