

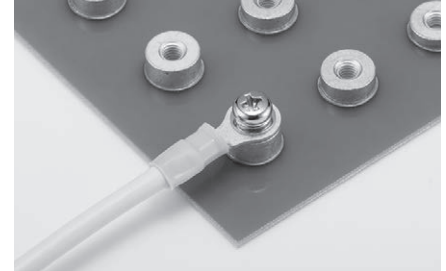
**Through hole tap**

**TH-1.6-□-M5-H series**

- A chip mounter can be used for this spacer.
- A spacer can be fit on a PC board just by automatically loading it on th PC board and carrying out with reflow.
- Can apply higher current than TH-1.6-□-M5.
- Tape-and-reel has an adsorption film. Please remove by pushing it from the opposite side and reflow.
- The jig for removing adsorption films (Part No. : TH-JIG) is available.
- Material : Tellurium copper
- Finish : Tin plating over nickel base
- Rated current : 80A
- Tightening torque : 15kgf-cm (147N-cm) or less
- Adaptive printed board thickness : t1.6 or over  
(There is no problem if it is used for other board thickness.)
- Please use the automatic mounter of automatic recognition type.



**Example of usage**

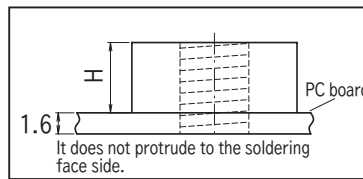


With the M5 solderless terminal attached

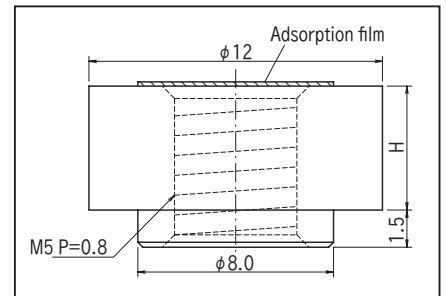
**Part No.**

Part No.	H	quantity per reel
TH-1.6-2.0-M5-H	2.0	400 pcs
TH-1.6-2.5-M5-H	2.5	300 pcs
TH-1.6-3.0-M5-H	3.0	300 pcs
TH-1.6-3.5-M5-H	3.5	250 pcs
TH-1.6-4.0-M5-H	4.0	250 pcs
TH-1.6-4.5-M5-H	4.5	250 pcs
TH-1.6-5.0-M5-H	5.0	250 pcs
TH-1.6-5.5-M5-H	5.5	200 pcs
TH-1.6-6.0-M5-H	6.0	200 pcs

**Condition of fitting to the PC board**



**Dimension**



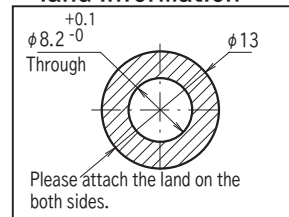
**To order bulk product**

TH-1.6-2.0-M5-H-B

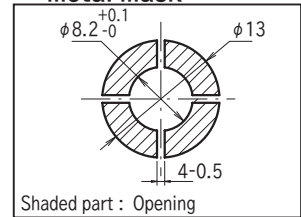
↑ Please specify -B.

- 100 pieces are included in 1 pack.
- Adsorption films are not put on the bulk products.
- ▲ Use of through hole tap is limited to a through hole board. (It is impossible to use it for a one-sided board and non through hole board.)

**Recommended land information**

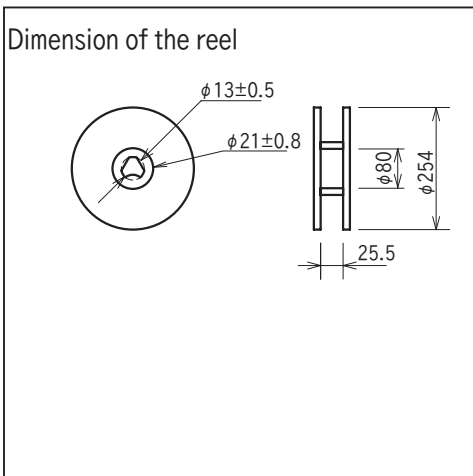


**Recommended metal mask**

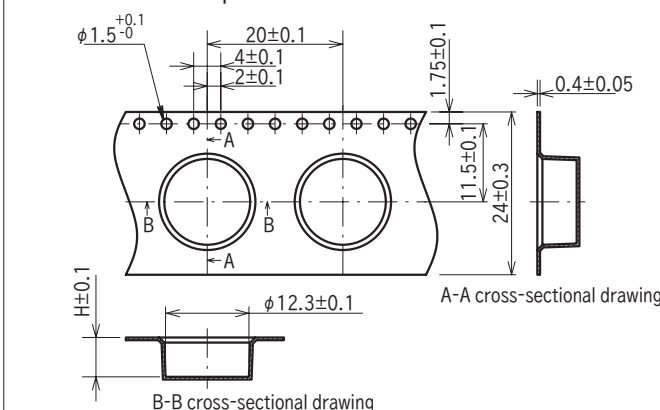


(Recommended metal mask thickness: 150 μm to 200 μm)

**Dimension of the reel**



**Dimension of the tape**



Part no	H
TH-1.6-2.0-M5-H	3.8
TH-1.6-2.5-M5-H	4.8
TH-1.6-3.0-M5-H	4.8
TH-1.6-3.5-M5-H	5.8
TH-1.6-4.0-M5-H	5.8
TH-1.6-4.5-M5-H	6.8
TH-1.6-5.0-M5-H	6.8
TH-1.6-5.5-M5-H	7.8
TH-1.6-6.0-M5-H	7.8